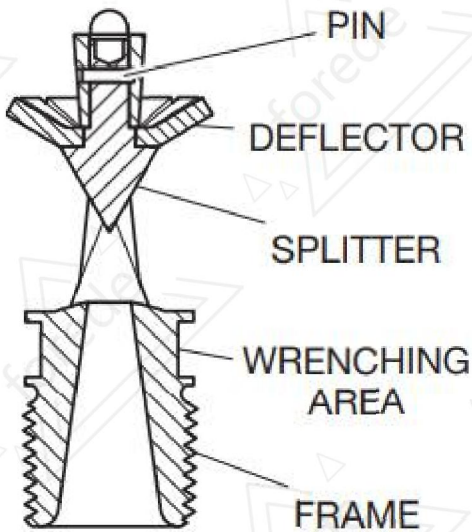


The FOREDE® Brand ZSTW C Series Impact Fire Sprinkler are open (non automatic) directional spray nozzles and they are designed for use in water spray fixed systems for fire protection applications. They are external deflector type nozzles that discharge a uniformly filled cone of medium velocity water droplets. The ZSTW C Series Impact Fire Sprinkler are effective in covering exposed vertical, horizontal, curved, and irregular shaped surfaces in a cooling spray to prevent excessive absorption of heat from an external fire and possible structural damage or spread of fire to the protected equipment.

FEATURES

- Limit the burning speed, reduce fire damage, reduce the risk of explosion, and promote the dilution and emission of steam.
- Only water is used as a fire extinguishing agent, which is economical.
- It can be effectively used in conjunction with other fire extinguishing systems.



Material	
Frame	Brass
Deflector	Brass
Splitter	Brass
Pin	Brass

Model	ZSTW C		
Size	DN15	DN20	DN25
K Factor	K= 21-37	K= 38-50	K=58-80
Connect Thread	BSP / NPT		
Max Working Pressure	175 PSI (12.1 Bar)		
Surface Finish	Chrome		
Filter	Optional		

APPLICATION

- ◆ Power Plants
- ◆ Transformers
- ◆ Chemical Storage Tanks
- ◆ Generator Rooms
- ◆ Oil Tanks

INSTALLATION

- ❖ Installation under the guidance of professionals, and do not install or replace parts without authorization.
- ❖ Apply a small amount of pipe-joint compound or tape to the external threads of the spray nozzle only, taking care not to allow a build-up of compound inside the inlet.
- ❖ Install the nozzle on the fixed piping, using the special sprinkler/spray nozzle wrench only. Take care not to over-tighten or damage the spray nozzle. DO NOT use the deflector to start or thread the unit into a fitting.

OPERATION

ZSTW C Series Spray Nozzle are designed to apply cooling water to exposed vertical, horizontal, curved, and irregular shaped surfaces to allow cooling of objects externally when exposed to an adjacent fire. Cooling is done to prevent objects from absorbing heat that could cause structural damage and possible spread of fire to the protected object. In some applications, ZSTW C Series Spray Nozzle may be applied to control or extinguish fire of the protected area (depending on water design application density).

MAINTENANCE

- ❖ Spray nozzles must be inspected on a regular basis for corrosion, mechanical damage, obstructions, paint, etc. Where open spray nozzles are installed, verify that foreign materials (such as dust, dirt, etc.) DO NOT restrict or plug the waterspray. The frequency of inspections may vary due to corrosive atmospheres, water supplies, and activity around the device.
- ❖ Spray nozzles that have been painted or mechanically damaged must be replaced immediately. Nozzles showing signs of corrosion shall be tested and/or replaced immediately as required. When replacing spray nozzles, use only new Spray Nozzles.
- ❖ The spray nozzle discharge pattern is critical for proper fire protection. Therefore, nothing should be hung from, attached to, or otherwise obstruct the discharge pattern. All obstructions must be immediately removed or, if necessary, additional nozzles installed.
- ❖ D. Fire protection systems that have been subjected to a fire must be returned to service as soon as possible. The entire system must be inspected for damage and repaired or replaced as necessary. Spray nozzles that have been exposed to corrosive products of combustion or high ambient temperatures, should be replaced.

ORDERING GUIDE

- Model Number
- Inlet Connection way, size and standard.
- Order Quantity
- Shipping/Transportation Way

***Other special requirements please contact FOREDE SALES TEAM.**

Tips: for more related products or other firefighting equipment, please forward to our website, www.forede.com